

Operating instructions for condenser dryers



To avoid the risk of accidents or damage to the appliance it is **essential** to read these instructions before it is installed and used for the first time.

Caring for the environment

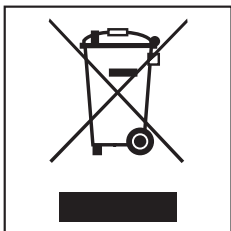
Disposal of the packing material

The packaging is designed to protect the appliance from damage during transportation. The packaging materials used are selected from materials which are environmentally friendly for disposal and should be recycled.

Recycling the packaging reduces the use of raw materials in the manufacturing process and also reduces the amount of waste in landfill sites.

Disposal of your old appliance

Electrical and electronic appliances often contain valuable materials. They also contain materials which, if handled or disposed of incorrectly, could be potentially hazardous to human health and to the environment. They are, however, essential for the correct functioning of your appliance. Please do not therefore dispose of it with your household waste.



Please dispose of it at your local community waste collection / recycling centre.

Ensure that it presents no danger to children while being stored for disposal.

Energy saving tips

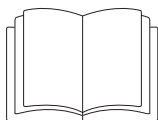
To avoid unnecessarily long drying times and high consumption of energy:

- Make sure that your laundry is thoroughly spun before drying. The higher the spin, the greater the savings that can be made in energy and time during drying.
- Load according to the optimum amount of laundry recommended for the programme being used. Underloading is uneconomical. Overloading gives a poorer quality of drying and may cause unnecessary creasing.
- Make sure the room temperature is not too high. If there are other heat producing appliances in the room in which the dryer is located, make sure the room is well ventilated and switch the other appliances off, if possible.
- After every cycle remove the fluff from the fluff filters in the door and in the door opening.
- Check the condenser unit once a year and clean it if necessary.

Caring for the environment	2
Warning and Safety instructions	5
Operating the tumble dryer	13
Control panel.....	13
Before using for the first time.....	14
Laundry care	15
How to dry correctly	16
Brief instructions	16
Changing the programme sequence	18
Programme chart	19
Cleaning and care	22
Emptying the condensed water container	22
Cleaning the fluff filters	23
Cleaning them whilst dry	23
Cleaning them with water	24
Replacing them.....	24
Tumble dryer	25
Cleaning the condenser unit	26
Removing the condenser unit.....	26
Checking the condenser unit	27
Cleaning the condenser unit	27
Replacing the condenser unit	29
Problem solving guide	30
Check and fault messages	30
Unsatisfactory drying results	32
Other problems	33
Changing the lamp.....	35
After sales service	36
Repairs.....	36
Optional accessories	36
Guarantee: U.K.....	36
Guarantee: Other countries.....	36
Installation and connection	37
Front view.....	37
Rear view	38

Contents

Installation site	38
Transporting the tumble dryer to its installation site	38
Building under a continuous worktop / in a kitchen run	38
Washer-dryer stack.....	38
Levelling the dryer.....	39
Room in which the dryer is located	39
Before moving the tumble dryer again (e.g. when moving house)	39
Electrical connection U.K.....	40
External condensed water outlet	41
Arranging the drain hose.....	41
External drainage via a sink or gully	42
Installation conditions requiring a non-return valve.....	43
Consumption data	45
Technical data	46
Programmable functions.....	48
Altering the residual moisture level in the Cottons programme.....	48
Altering the residual moisture level in the "Minimum iron" programme.....	49
Anti-crease.....	50
Switching the buzzer on/off	51
Altering the standard drying level in the "Automatic plus" programme.....	52
Extending the cooling down time	53
Standby.....	54
Changing the function of the airways indicator	56
Adjusting the dryer's electronics for very soft water	57



- ▶ It is essential to read these instructions.

This tumble dryer complies with current safety requirements. Inappropriate use can, however, lead to personal injury and damage to property.

To avoid the risk of accidents and damage to the tumble dryer, please read these instructions carefully before using it for the first time. They contain important information on its safety, installation, use and maintenance.

Keep these instructions in a safe place and ensure that new users are familiar with the content. Pass them on to any future owner.

Correct application

- ▶ This tumble dryer is intended for use in domestic households and similar working and residential environments.
- ▶ This tumble dryer is not intended for outdoor use.
- ▶ It must be used only as a domestic appliance to dry items which have been washed in a water solution and which are marked on the manufacturer's care label as being suitable for tumble drying. If using dry cleaning kits, do so at your own risk, and follow the instructions provided on the packaging.
Any other applications may be dangerous. Miele cannot be held liable for damage resulting from incorrect or improper use or operation.

Warning and Safety instructions

▶ This tumble dryer can only be used by people with reduced physical, sensory or mental capabilities, or lack of experience or knowledge, if they are supervised whilst using it or have been shown how to use it in a safe way and understand and recognise the consequences of incorrect operation.

Safety with children

▶ Children under 8 years of age must be kept away from the tumble dryer unless they are constantly supervised.

▶ Children 8 years and older may only use the tumble dryer unsupervised if they have been shown how to use it safely and recognise and understand the consequences of incorrect operation.

▶ Children must not be allowed to clean or maintain the tumble dryer unsupervised.

▶ Please supervise children in the vicinity of the tumble dryer and do not let them play with it.

Technical safety

- ▶ Before setting up the tumble dryer, check it for any externally visible damage.
Do not install or use a damaged tumble dryer.
- ▶ Before connecting the tumble dryer, ensure that the connection data on the data plate (fuse rating, voltage and frequency) match the mains electricity supply. If in any doubt, consult a qualified electrician.
- ▶ Reliable and safe operation of this tumble dryer can only be assured if it has been connected to the mains electricity supply.
- ▶ The electrical safety of this tumble dryer can only be guaranteed when correctly earthed. It is essential that this standard safety requirement is met. If in any doubt, please have the household wiring system tested by a qualified electrician. Miele cannot be held liable for the consequences of an inadequate earthing system (e.g. electric shock).
- ▶ Do not connect the appliance to the mains electricity supply by an extension lead, multi-socket adapter or similar. These can overheat and are a fire hazard.
- ▶ If the electrical connection cable is faulty it must only be replaced by a Miele authorised service technician to protect the user from danger.
- ▶ Unauthorised repairs could result in unforeseen dangers for the user, for which Miele cannot accept liability. Repairs should only be undertaken by a Miele approved service technician, otherwise any subsequent damage will not be covered by the guarantee.
- ▶ Faulty components must only be replaced by genuine Miele original spare parts. The manufacturer can only guarantee the safety of the appliance when Miele replacement parts are used.
- ▶ The tumble dryer must be isolated from the electricity supply in the event of a fault and during cleaning and maintenance.

Warning and Safety instructions

- ▶ This tumble dryer must not be used in a non-stationary location (e.g. on a ship).
- ▶ Do not make any alterations to the tumble dryer, unless authorised to do so by Miele.
- ▶ Please observe the instructions in "Installation and connection" and the "Technical data".
- ▶ The accessibility of the plug must always be ensured, in order to disconnect the tumble dryer from the mains.
- ▶ Do not block the gap between the bottom of the tumble dryer and the floor with plinth facings, deep pile carpet etc. This would hinder a sufficient flow of air to the dryer.
- ▶ Make sure the dryer door can be opened without hindrance after installation.

Correct use

- ▶ The maximum load for this tumble dryer is 7.0 kg (dry weight). The maximum recommended loads for individual programmes are given in the Programme chart.
- ▶ To prevent the risk of fire, do not connect the tumble dryer via a controllable socket (e.g. a timer or a peak-load switch-off device). If the drying programme is interrupted before the end of the cooling down phase, this could cause the laundry to self-ignite.

Warning and Safety instructions

- ▶ To prevent the risk of fire, the following textiles must not be dried in this tumble dryer:
- Items which have not been washed.
 - Items, such as workwear, which have not been thoroughly cleaned and which are still soiled with grease, oil or other deposits (such as cosmetics, lotions etc). If items have not been thoroughly cleaned there is a danger that these might ignite when heated, even after they have been removed from the dryer at the end of the programme.
 - Items (e.g. mops and floor cloths) which have been treated with inflammable cleaning agents or which contain residues of acetone, alcohol, benzene, petrol, kerosene, stain remover, turpentine, wax and wax remover or other chemicals.
 - Items which have been splashed with hair lacquer, hair spray, nail varnish remover or similar substances.

When washing such heavily soiled items ensure that you use sufficient detergent and select a high temperature. If in doubt, wash the items several times.

- ▶ Remove all items from pockets (e.g. lighters, matches).
- ▶ **Warning:** Do not switch the dryer off before the drying programme has finished. If this is done, the laundry must be hung up or spread out to cool it down.
- ▶ Fabric conditioner and similar products must be used according to the instructions on the manufacturer's packaging.

Warning and Safety instructions

- ▶ To prevent the risk of fire, the following textiles must not be dried in this tumble dryer:
 - Items which have been cleaned using chemicals (e.g. professional dry-cleaning agents).
 - Items which contain a large proportion of rubber, foam rubber or rubber-like materials. For example, products made from latex foam rubber, shower caps, waterproof textiles, rubberised articles and items of clothing and pillows with foam rubber filling.
 - Damaged items which contain padding or fillings (e.g. pillows, jackets). When damaged, the filling can get out with the risk of it igniting in the dryer.

- ▶ In many programmes, the heating phase is followed by a cooling down phase to ensure that the items are not too hot to handle when you remove them (this also avoids the danger of the laundry self-igniting). The programme is not finished until the cooling down phase has been completed.

As soon as the programme has finished, remove all laundry from the drum.

- ▶ Do not let anyone sit or lean on the door, as this can cause the tumble dryer to tip up.

- ▶ Always close the door after use. This way you will avoid the danger of:
 - Children climbing onto or into the dryer or hiding things in it.
 - Pets or other small animals climbing into it.


Warning and Safety instructions

- ▶ The dryer must not be used without the fluff filters in place or if the fluff filters are damaged in any way.
- ▶ The fluff filters must be cleaned regularly.
- ▶ The dryer must not be used without the condenser unit in place.
- ▶ The fluff filters must be thoroughly dried after wet cleaning. Do not replace them if they are damp or wet. Damp or wet filters could cause operational faults.
- ▶ Do not install the tumble dryer in a room where there is a risk of frost occurring. At temperatures around freezing point the tumble dryer may not be able to operate properly. There is a risk of damage if the condensed water is allowed to freeze in the pump and hoses.
- ▶ If the water is drained externally through the drain hose instead of being collected in the condensed water container, make sure the drain hose is securely attached if you hang it in a sink or basin to avoid the hose slipping and the water causing damage.
- ▶ Condensed water is not drinking water.
It can cause health problems in both people and animals if consumed.
- ▶ Always keep the area around the tumble dryer free of dust and fluff.
Dust drawn into the tumble dryer can cause blockages in the heat exchanger over time.
- ▶ The tumble dryer must not be hosed down.

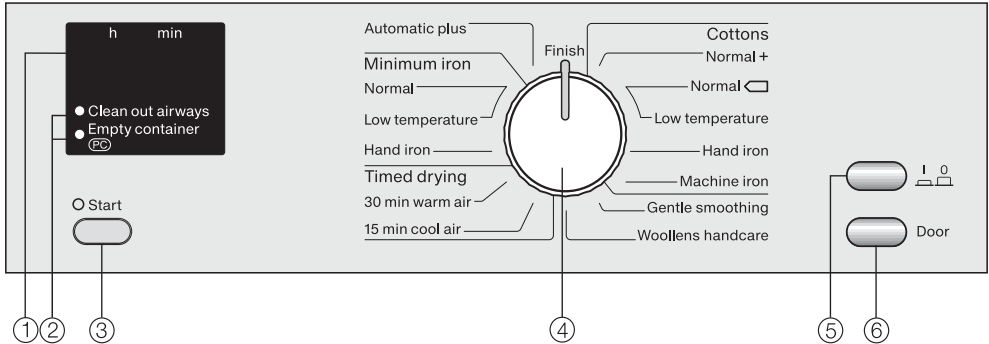
Warning and Safety instructions

Accessories

- ▶ Only use genuine Miele original spare parts and accessories with this appliance. If non-Miele parts are used, guarantee, performance and product liability claims will be invalidated.
- ▶ The tumble dryer can be combined with a Miele washing machine in a washer-dryer stack. The appropriate "WTV" stacking kit (available to order) to match your tumble dryer and washing machine is required.
- ▶ If you order a plinth for this tumble dryer (available from Miele as an optional accessory - depending on country), make sure it is the correct one.

 Miele cannot be held liable for damage caused by non-compliance with these Warning and Safety instructions.

Control panel



① **Display *h min***

See the following page for more information.

② **Check / fault indicator lights**

See "Problem solving guide"

The PC check light is also used by service technicians to run diagnostic checks on your tumble dryer and may be used to update programming data in the future.

③ **Start button**

Press the Start button to start a programme


The Start indicator light will flash as soon as the programme can be started. It lights up constantly once the programme has started.

④ **Programme selector**

The programme selector can be turned clockwise or anti-clockwise.

⑤ **On/Off button** 

To switch the appliance on or off.

 or the programme duration will light up as confirmation that the tumble dryer has been switched on.

⑥ **Door button**

Pressing this button will open the door even when the appliance is not switched on at the mains.

Operating the tumble dryer

Display h min

The display shows:

- The programme duration (*h min* = hours and minutes)
- Check and fault messages
- Programmable functions
The programmable functions are used to alter the dryer's electronics to suit different requirements. See "Programmable functions" for more information.

Estimated time remaining


The estimated programme duration will appear in the *h min* display in hours and minutes (estimated time remaining).
Exception: *Timed drying* programmes which last for the duration stated in the control panel.

The following factors can all affect the estimated time remaining: residual moisture content after spinning; type of fabric; size of load; room temperature; fluctuations in power supply. The electronics continually assess conditions in the appliance and adjust the estimated time remaining with increasing accuracy. Because of this, the time displayed can alter during the course of a programme.

Drum lighting

When the dryer is switched on at the mains and the door is opened, the drum lighting will come on. It will go out a few minutes later to save energy.

Before using for the first time

 Before using the tumble dryer for the first time, ensure that it is correctly installed and connected.

Garment care label symbols

Drying	
	Normal/higher temperature
	Low temperature
	Do not tumble dry
Ironing	
	Very hot
	Hot
	Warm
	Do not iron

Tips on drying

Overloading can cause unnecessary wear and tear to the laundry, give a disappointing drying result and cause more creasing.

Always observe the maximum recommended loads given in the "Programme chart". Never overload the drum.

- Open jackets so that they can dry evenly
- Do not put soaking wet items into the tumble dryer to dry them; spin them thoroughly for at least 30 seconds after washing.
- Use the *Automatic plus* programme for drying mixed loads of cottons and minimum iron fabrics.
- Woollens and wool blends tend to become matted and shrink if dried in a tumble dryer. They can, however, be "fluffed up" in the *Woollens* programme.
- Down-filled garments have linings which have a tendency to shrink, depending on the quality of the items. They can be partially dried using the *Smoothing* programme.
- Pure linen should only be machine dried if specified as suitable by the manufacturer on the garment care label, as the surface of the fabric may otherwise become rough.
- Loopknit garments (e.g. T-shirts and underwear) tend to shrink depending on their quality. Do not over-dry these textiles. When purchasing these garments it is advisable to take their shrinkage properties into account.
- Minimum iron fabric tends to crease more, the larger the load. This is also the case for garments made from very fine weave fabric, such as shirts or blouses. If necessary, select *Minimum iron* and reduce the size of the load.
- Starched laundry can be dried in the tumble dryer. To achieve the usual finish, double the amount of starch should be used.
- New dark coloured garments should be washed and dried separately from light coloured garments to avoid the danger of colours running and discolouring other garments or even plastic components in the dryer. Dark coloured fibres can also settle on light coloured garments and vice versa.

How to dry correctly

Brief instructions

The headings numbered (1, 2, 3 ...) show the operating sequence and can be used as a brief guide to using your dryer.

1 Sort the laundry

To ensure an even drying result sort laundry according to:

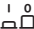
- ... the drying level required
- ... the type of fibre or weave
- ... size
- ... the moisture content after spinning.

⚠ Make sure that objects e.g. detergent dispensing balls have been removed from the laundry. They could melt, and cause damage to the dryer or the laundry.

- Check seams and stitching to ensure that padding and linings are intact.
- Fasten duvet covers, pillow cases etc. to prevent small items from being rolled up inside them.
- Fasten hooks and eyes.
- Fasten any loose belts and ties
- Underwiring and collar stiffeners: Any loose wiring in bras, shirt collar stiffeners, etc. should be removed or sewn in.

2 Turn on the tumble dryer

The tumble dryer may be switched on after loading, saving energy as the light will not come on.

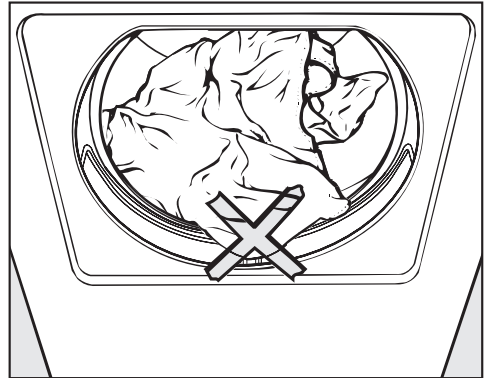
- Switch the dryer on by pressing the On/Off  button in.

3 Load the tumble dryer

- Press the *Door* button to open the door.
- Unfold the laundry and load loosely into the drum.

Do not overload the drum. See the "Programme chart" for recommended loads for each programme. Overloading can cause unnecessary wear and tear to the laundry and give a disappointing drying result.

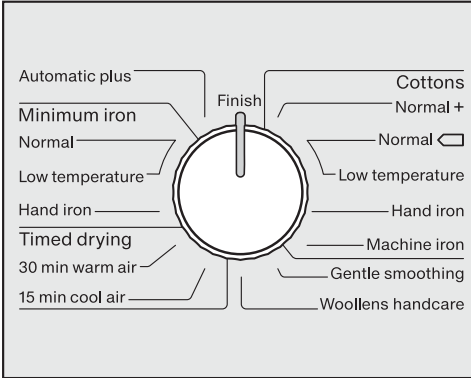
- Before closing the door make sure the fluff filter is correctly positioned in the door.



Check the laundry is right inside the drum so that it cannot get trapped or damaged when the door is shut.

- Shut the door either with a gentle swing, or lean against it and push it shut.

4 Select a programme



- Turn the programme selector to the required programme.

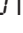
5 Start the programme

- Press the flashing *Start* button.

The indicator light for the *Start* button will now light up constantly.

Please note: The programme duration shown in the display is an estimation and can vary.

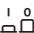
6 Remove the laundry when the programme has finished

There is a cooling down phase at the end of the drying sequence. The programme is not finished until  lights up and the buzzer sounds.

After the programme has finished, the drum will continue to rotate in a special rhythm, depending on the programme selected, to prevent creasing, if you do not wish to remove it immediately (anti-crease phase). There is no anti-crease phase at the end of the *Woollens handcare* programme. The duration of the cooling down phase is variable; see "Programmable functions".

- Press the *Door* button.
- Open the door.
- Remove the laundry.

Check that all items have been removed from the drum. If items are left in the dryer, they could be damaged by overdrying when the dryer is next used.

- Press the  button to switch the dryer off.
- Clean the fluff filters
- Close the door.
- Empty the condensed water container.

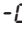
Tip: If condensed water is drained away via the drain hose the condensed water container does not have to be emptied.

Changing the programme sequence

Once a programme has started

... changing the programme once it has started

You cannot change to another programme once a programme has started (this prevents unintentional alterations).


If you try to change a programme,  lights up until the original programme is reset.

You will need to cancel the current programme before you can select a new one.

... cancelling a programme


- Turn the programme selector to *Finish*.

The items will be cooled down, depending on the temperature reached and how long they have been dried for.

The programme is not finished until  lights up.

- Switch the dryer off and then on again.
- Select and start a new programme immediately.

Adding or removing laundry after a programme has started

 Restart the programme **immediately** after adding or removing items. Otherwise remove all items and spread them out to cool down completely.


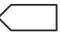

Danger of burning.
The drum and the items can get very hot.
Do not touch the back of the drum when adding or removing items.

- Press the *Door* button.
- Add or remove items.
- Close the door.
- Press the *Start* button.

Programme duration

Altering the programme sequence can cause adjustments in the *h min* display.

Programme chart


Cottons		Max. load 7.0 kg*
Normal+, Normal  **		
Use for	Single and multi-layered cotton fabric such as towelling, jerseywear, T-shirts, underwear, workwear, covers, flannelette bed linen and baby clothes.	
Note	The <i>Cottons Normal</i>  programme is the most energy-efficient for drying cotton items with normal residual moisture levels.	
Normal - Low temperature		
Use for	Delicate fabric (with the  symbol on the care label, e.g. acrylic garments) is dried at a lower temperature than in the Cottons Normal programme. The programme duration is longer.	
Hand iron, Machine iron		
Use for	Cotton or linen fabric requiring further processing, e.g.: table linen, bed linen, starched laundry.	
Note	To prevent laundry from drying out it should be rolled up until you are ready for ironing.	

* Weight of dry laundry

** Note for Test Institutes:

Test programme in accordance with Regulation 392/2012/EU for energy labelling measured in accordance with EN 61121.

Programme chart

Minimum iron		Max. load 3.5 kg*
Normal, Hand iron		
Use for	Minimum iron items made of cotton, synthetic or mixed fibre, e.g.: tops, dresses, workwear, tunics, trousers, table linen and socks.	
Note	With the <i>Hand iron</i> drying level, items are dried with very little creasing, depending on fabric type and amount of laundry.	
Normal - Low temperature		
Use for	Delicate fabric (with the  symbol on the care label, e.g. acrylic garments) is dried at a lower temperature than in the Cottons Normal programme. The programme duration is longer.	
Automatic plus		Max. load 5.0 kg*
Use for	Mixed loads of garments suitable for the <i>Cottons</i> and <i>Minimum iron</i> programmes.	
Timed drying		Max. load 7.0 kg*
30 min warm air		
Use for	<ul style="list-style-type: none"> – Multi-layered fabric whose layers have different drying characteristics, e.g. jackets, pillows, sleeping bags and other voluminous items. – Drying individual items, e.g. bath towels, swimwear and tea-towels. 	
15 min cool air		
Use for	Any item which only needs airing.	

* Weight of dry laundry

Programme chart

Gentle smoothing		Max. load: 1.0 kg*
Use for	<ul style="list-style-type: none"> – Cotton and linen fabric – Minimum iron items made of cotton, synthetic or mixed fibre, e.g. trousers, jackets, shirts. 	
Note:	<ul style="list-style-type: none"> – Smooths out creasing caused during the spin cycle in the washing machine. – Items are not dried completely in this programme. – Remove items as soon as the programme has finished and leave to finish drying at room temperature. 	
Woollens handcare		Max. load 2.0 kg*
Use for	Woollen garments and fabric containing wool blends, e.g. pullovers, jackets.	
Note	<ul style="list-style-type: none"> – Wool and wool blend items are only fluffed up; they are not dried completely. – Remove garments as soon as the programme has finished and leave to finish drying at room temperature. 	

* Weight of dry laundry

Cleaning and care

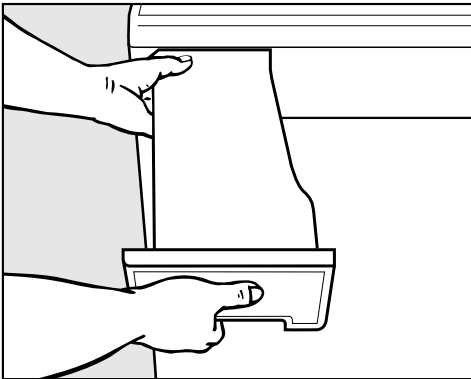
Emptying the condensed water container

The condensed water is collected in the condensed water container.

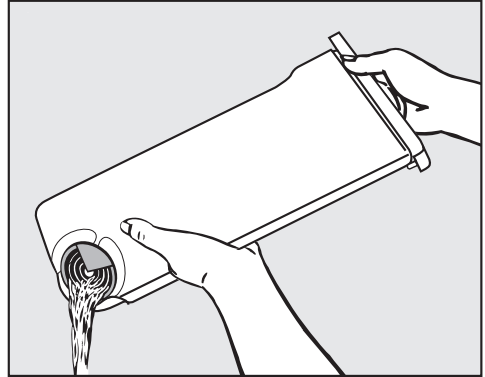
Empty the condensed water container after every drying programme.

The *Empty container* indicator light will come on if the maximum level of the condensed water container is reached.


The indicator light will go out when the door is opened and closed again when the tumble dryer is switched on.



- Pull out the condensed water container.
- To prevent water running out, hold it at the front and towards the back and keep it in a horizontal position when carrying it.



- Empty the container.
- Replace the container in the dryer.

 Condensed water can cause health problems in people and animals.
Do not drink it.

Condensed water can be put to household use (e.g. used in a steam iron or humidifier). To ensure that any residual particles of fluff in the condensed water are removed before use, pass it through a fine sieve or paper filter first.

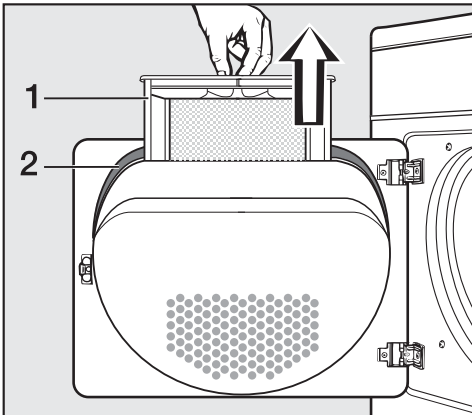
Cleaning the fluff filters

When to clean

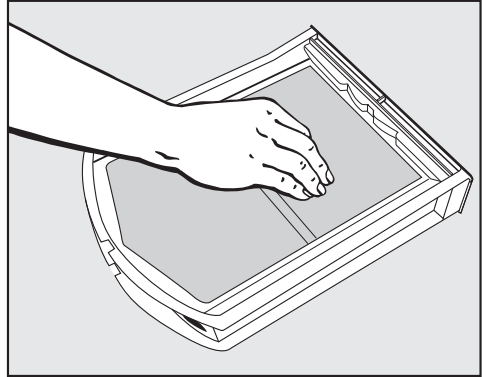
Clean the surfaces of the fluff filters in the door and the door opening after each drying programme. Always check the fluff filters if the *Clean out airways* indicator light comes on.

Cleaning them whilst dry

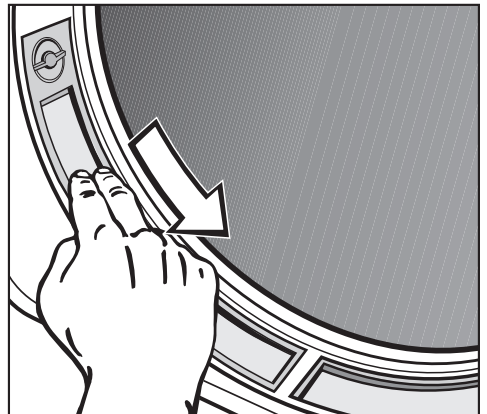
Tip: You can use a vacuum cleaner to remove the fluff.



- Open the door and pull the fluff filter (1) out of the door as illustrated.
- Remove any fluff from the hollow part of the door with a bottle brush or a vacuum cleaner.
- Also clean the door seal (2) with a damp cloth.



- Use your fingers or a vacuum cleaner to remove the fluff from the surface of the filter.



- Use your fingers or a vacuum cleaner to remove the fluff from the two fluff filters in the door opening.
- Once clean, push the filter back into the door holder until it clicks into position. Ensure it is facing the correct way.
- Close the door.

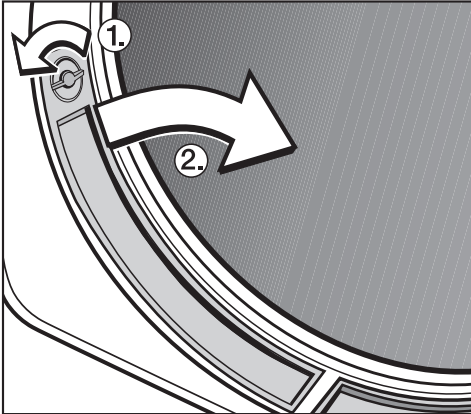
Cleaning and care

Cleaning them with water

If there is a great deal of compacted fluff on any of the filters, they can be removed and cleaned with water.

- Open the door and pull the fluff filter out of the door as described previously.

The two filters in the door opening can also be removed if you need to clean them with water.




- Turn dial ① on the left and right fluff filter until you feel it click.
- Pull the filter out of the door opening by the dial as shown ②.
- Rinse all the filters under hot, running water.
- Dry the fluff filters thoroughly with care.
- Clean the area underneath the filters, e.g. with a vacuum cleaner.


Replacing them

⚠ Do not replace them if they are damp or wet. Damp or wet filters could cause operational faults.

- Push the large filter back into the door holder until it clicks into position. Ensure it is facing the correct way.
- Replace the filters in the door opening by first inserting them at the bottom and then pressing them into place at the top.
- Lock both dials (you will feel them click into position).

Tumble dryer

 Disconnect the tumble dryer from the mains electricity supply.

 Do not use solvents, abrasive cleaners, glass cleaners or multi-purpose cleaning agents. These could damage plastic surfaces and other parts.

- Clean the tumble dryer with a slightly damp cloth and a mild non-abrasive cleaning agent or a solution of washing-up liquid and water.
- Clean the seal around the inside of the door with a damp cloth.
- Dry all parts with a soft cloth.
- The drum and other stainless steel parts can be cleaned with a suitable proprietary stainless steel cleaner following the manufacturer's instructions.

Cleaning and care

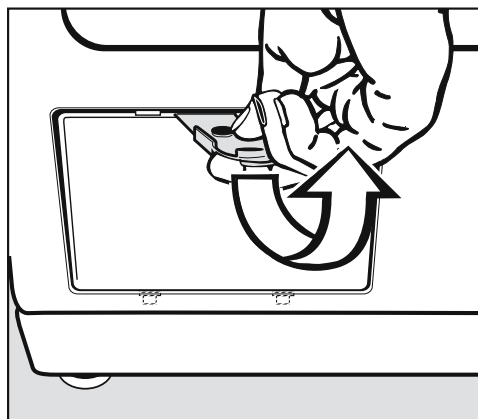
Cleaning the condenser unit

Check the condenser unit at least once a year. If the dryer is used frequently, then clean the condenser unit on a regular basis.

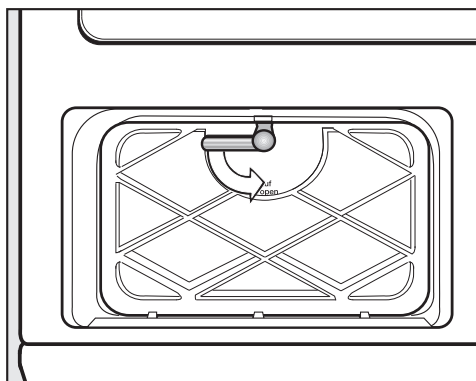
Always check the fluff filters and the condenser unit if the *Clean out airways* indicator light comes on.

Detergent residue, hair and fine fluff from the dryer can get through the fluff filters and block the condenser unit. Dust from the room in which the dryer is installed can also get into the condenser unit and cause a blockage.

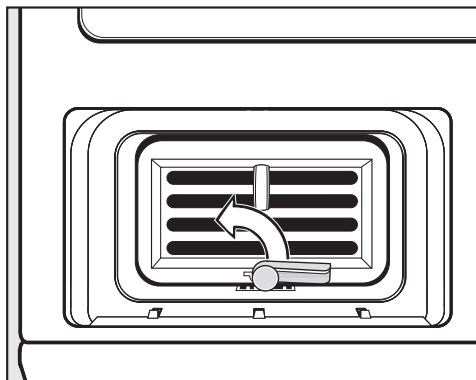
Removing the condenser unit



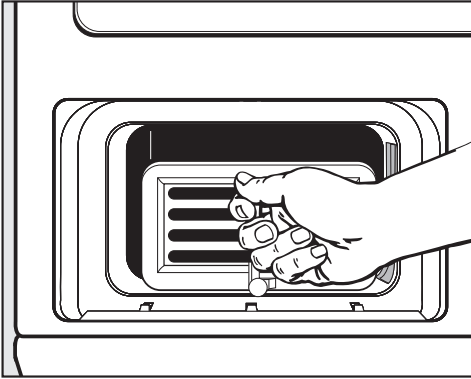
- Use the yellow lever supplied to open the service panel.
- Insert the lever into the middle of the gap in the top (see arrow) and lever the panel until it opens at the top.
- Now remove the panel by pulling it diagonally upwards. Then place it to one side.



- Turn the lever on the inner cover downwards to the vertical position.
- Pull the cover forwards.
- Then remove it by pulling it diagonally upwards.

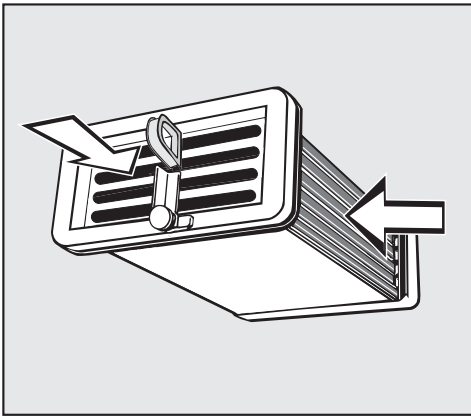


- Turn the lever on the condenser unit to the vertical position so that the hook on the lever is no longer in the groove at the bottom of the condenser unit housing.



- Pull the condenser unit out of its housing by the handle.

Checking the condenser unit



- Hold the condenser unit up to the light as shown.

Check to see if there is any fluff inside it. The arrows in the illustration above indicate where to look.

If you cannot see any fluff:

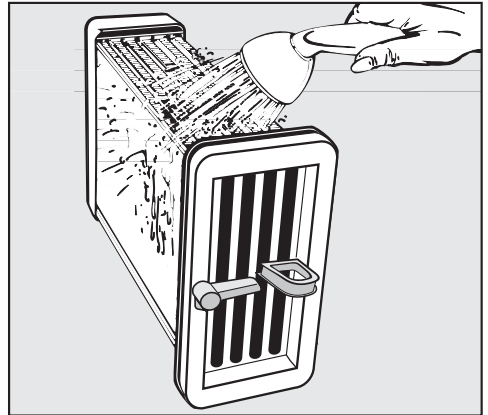
- Replace the condenser unit (see following page).

If you can see some fluff:

- Clean the condenser unit as described below.

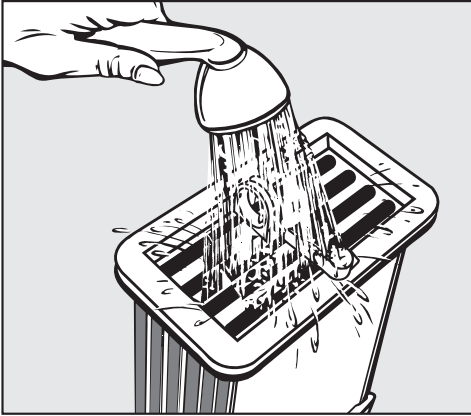
Cleaning the condenser unit

When rinsing the condenser unit, make sure you position it as shown in the next two illustrations.



- Use a shower head or similar to rinse the unit as shown.

Cleaning and care

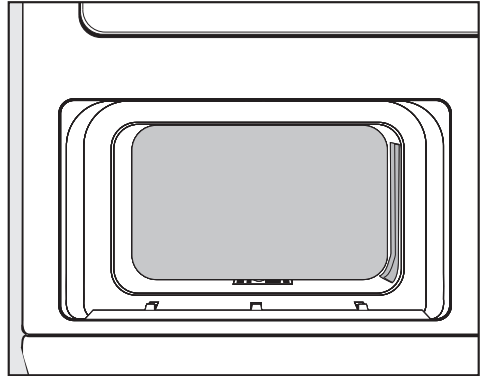


- Then flush the unit through from the front.
- Check the condenser unit again for any visible fluff and if necessary flush it through again until it has all gone. Repeat as required.
- Also make sure that the rubber seals are clean.

The rubber seals must not be removed and must be free of kinks.

- Shake the water off the condenser unit until no more droplets of water are visible.

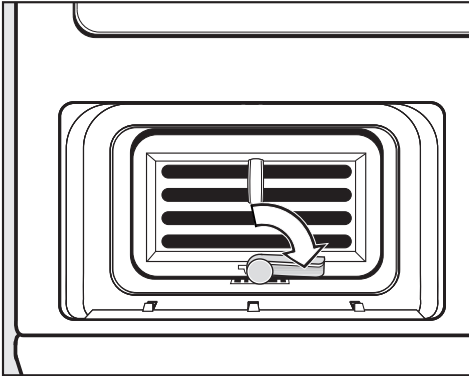
Checking and cleaning the condenser unit housing



- Remove any soiling still visible inside the housing by hand using a damp cloth.
- Do not try and access areas you cannot reach by hand!

Replacing the condenser unit

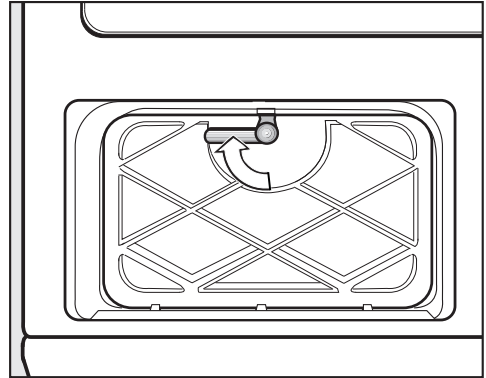
- Push the condenser unit back into the housing as far as it will go.



- Turn the lever down to the horizontal position, making sure that the hook on the lever clicks into the groove at the bottom.

When replacing the inner cover after cleaning, ensure that the rubber seal fits correctly into the groove. Otherwise water may leak from the system.

- Replace the inner cover making sure the hooks are at the bottom. Hold it at an angle and push down gently.



- Press against the cover and lock it with the lever.


The lever will be in the horizontal position when locked.

- Replace the service panel and press the upper edge until it clicks into position.


⚠ It is important to ensure that both the condenser unit and the cover are correctly positioned and locked, otherwise water may leak from the system.

Problem solving guide

With the help of the following notes minor faults in the performance of the appliance, some of which may result from incorrect operation, can be put right without contacting the Service Department.

 Repair work to electrical appliances must only be carried out by a suitably qualified person in strict accordance with current local and national safety regulations. Repairs and other work by unqualified persons could be dangerous. The manufacturer cannot be held liable for unauthorised work.

Check and fault messages

Problem	Cause and remedy
The <i>Empty container</i> indicator lights up. The programme is cancelled, the buzzer sounds.	The condensed water container is full or there is kink in the drain hose. <ul style="list-style-type: none">■ Empty the container.■ Check the drain hose.■ Open and close the door while the dryer is switched on. The indicator light will go out.
The programme is cancelled. The buzzer may sound and the <i>Clean out airways</i> or <i>Empty container</i> indicator flashes.	No obvious cause. <ul style="list-style-type: none">■ Switch the dryer off and then on again.■ Start a programme. If the programme is cancelled again and a fault message appears, there is a fault. Contact Miele service.
The programme is cancelled,  lights up	This is not a fault. In some programmes, if the drum has been underloaded or is empty, the programme will be cancelled. This can also happen if the items are already dry. <ul style="list-style-type: none">■ Open and close the door to resume drying.■ Dry individual items using the <i>Warm air</i> timed drying programme.

Problem solving guide

Problem	Cause and remedy
<p>The Start indicator light flashes slowly and the display is dark.</p>	<p>The dryer is in standby mode. This is a normal function and does not indicate a fault.</p> <ul style="list-style-type: none"> ■ See "Standby" in "Programmable functions".
<p>The Clean out airways indicator light comes on at the end of a programme.</p>	<p>There is a build-up of fluff in the airways.</p> <ul style="list-style-type: none"> ■ Clean the fluff filters ■ Clean the condenser unit ■ Open and close the door while the dryer is switched on. The indicator light will go out.
<p>The programme is cancelled and the Clean out airways indicator light comes on.</p>	<p>An excessive amount of fluff has built up.</p> <ul style="list-style-type: none"> ■ Clean the fluff filters and condenser unit. ■ Open and close the door while the dryer is switched on. The indicator light will go out.
<p>Bars flash in the display at the end of a programme: <i>[-]...[-]...[-]...</i></p>	<p>The programme has finished but the laundry has not yet cooled down.</p> <ul style="list-style-type: none"> ■ Either remove the laundry and spread it out to cool down or leave it in the tumble dryer to cool down during the cooling phase.
<p>-0- lights up</p>	<p>The programme selector has been moved.</p> <ul style="list-style-type: none"> ■ Select the original programme. The time remaining will appear in the display again.

Problem solving guide

Unsatisfactory drying results

Problem	Cause and remedy
The laundry is not sufficiently dry	<p>The load consisted of different types of fabric.</p> <ul style="list-style-type: none">■ Finish drying using the <i>Warm air</i> timed drying programme.■ Select a different programme next time. <p>Tip: You can alter the drying levels for some programmes (see "Programmable functions").</p>
Laundry or feather filled pillows smell after drying	<p>The laundry was washed with insufficient detergent</p> <p>Feathers are a natural product and this is quite normal.</p> <ul style="list-style-type: none">■ Laundry: use sufficient detergent next time.■ Pillows: take out of the tumble dryer and air them.■ Use a fragrance flacon (available as an optional accessory) for your favourite fragrance.
Items made of synthetic fibres are charged with static electricity after drying	<p>Synthetic fibres tend to attract static charge.</p> <ul style="list-style-type: none">■ Static charge can be reduced by adding a fabric conditioner to the final rinse in the washing programme.
There is a build-up of fluff.	<p>Fluff is principally the result of friction when garments are being worn and to some extent when they are being washed. Machine drying hardly causes any fluff to form.</p> <p>Fluff is collected by the fluff filters in the door and door opening and can be easily removed</p> <ul style="list-style-type: none">■ See "Cleaning and care".

Other problems

Problem	Cause and remedy
<p>Water leaks from the dryer after the condenser unit has been cleaned.</p>	<p>The inner cover of the condenser unit has not been locked properly and/or the condenser unit has not been positioned correctly.</p> <p>Fluff has collected in the condenser unit housing.</p> <ul style="list-style-type: none"> ■ Ensure that the condenser unit is positioned correctly and lock the inner cover. ■ Check the rubber seals. ■ Use a cloth to remove any visible fluff from the inside of the condenser unit housing.
<p>A programme does not start</p>	<p>No obvious cause.</p> <ul style="list-style-type: none"> ■ Connect the tumble dryer to the mains ■ Turn on the tumble dryer ■ Close the door ■ Check whether the mains fuse has tripped <p>Has there been a power cut? When power is restored any previously running programme will restart automatically.</p>
<p>The interior drum lighting does not come on</p>	<p>The lighting switches off automatically (to save energy).</p> <ul style="list-style-type: none"> ■ Switch the dryer off and then on again. ■ The lamp needs changing. Change the lamp as described at the end of this section.

Problem solving guide

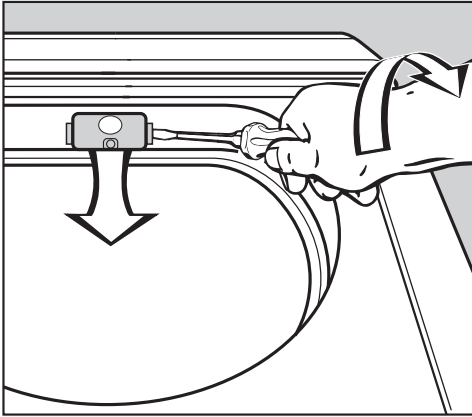
Problem	Cause and remedy
The drying process goes on too long or even switches off *	The room in which the dryer is located is too warm. ■ Ventilate the room thoroughly.
	Detergent residues, hair and fine fluff can clog the filters. ■ Clean the filters and the condenser unit (see "Cleaning and care").
	The vents below the door are blocked. ■ Move any objects, such as a laundry basket, away from the dryer.
	The fluff filters were still wet when replaced. ■ The fluff filters must be dry.
	The laundry is too damp. ■ Spin using a higher spin speed in the washing machine.
	The tumble dryer has been overloaded ■ Do not exceed the maximum load for the programme selected.
	Metal zips have prevented the dryer from registering the correct moisture level. ■ Open the zips next time. ■ If the problem recurs, dry these items using the <i>Warm air</i> timed drying programme.
	* Before starting another programme: ■ Switch the dryer off and then on again.

Changing the lamp

⚠ Disconnect the tumble dryer from the mains electricity supply.

- Open the door.

You will find the interior lamp cover at the top of the drum aperture.



- Insert a suitable tool* using light pressure under the side edge of the lamp cover as illustrated.

* such as a wide flat bladed screwdriver

- Apply a little pressure and whilst doing so turn your wrist in the direction of the arrow to open the cover.

The cover will open downwards.

The temperature resistant lamp should only be ordered from your Miele dealer or the Miele Spare Parts Department.

⚠ The lamp must be replaced with one of the same type and specification. The lamp specification and maximum wattage is stated on the data plate and on the lamp cover.

- Turn the lamp anti-clockwise to remove.
- Replace the lamp.
- To close the cover push it upwards and press it on the left and right until you hear it click into position.

⚠ Ensure that it is fitted into position securely, as any moisture could cause a short circuit.

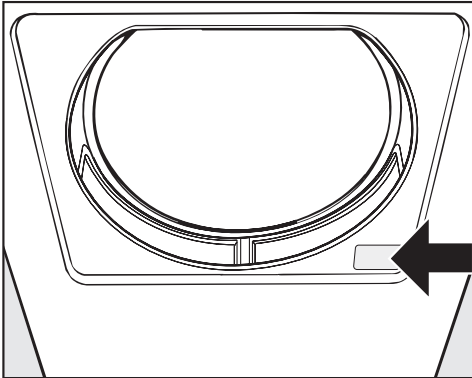
After sales service

Repairs

In the event of any faults which you cannot remedy yourself, please contact your Miele dealer or the Miele Service Department

Contact details for Miele are given on the back cover of this manual. N.B. A call-out charge will be applied to service visits where the problem could have been resolved as described in these instructions.

When contacting the Service Department, please quote the model and serial numbers both of which are located on the data plate (visible when the door is opened).



Optional accessories

Optional accessories for this tumble dryer are available from Miele or via the internet.



Dryer basket

The dryer basket is suspended in the drum and does not rotate with the drum. This enables items which must not be subjected to mechanical action to be dried or aired.

Fragrance flacon

A fragrance flacon can be used in your tumble dryer to add a pleasant fragrance to your laundry.

A fragrance flacon holder is required which fits into the fluff filter.

Guarantee: U.K.

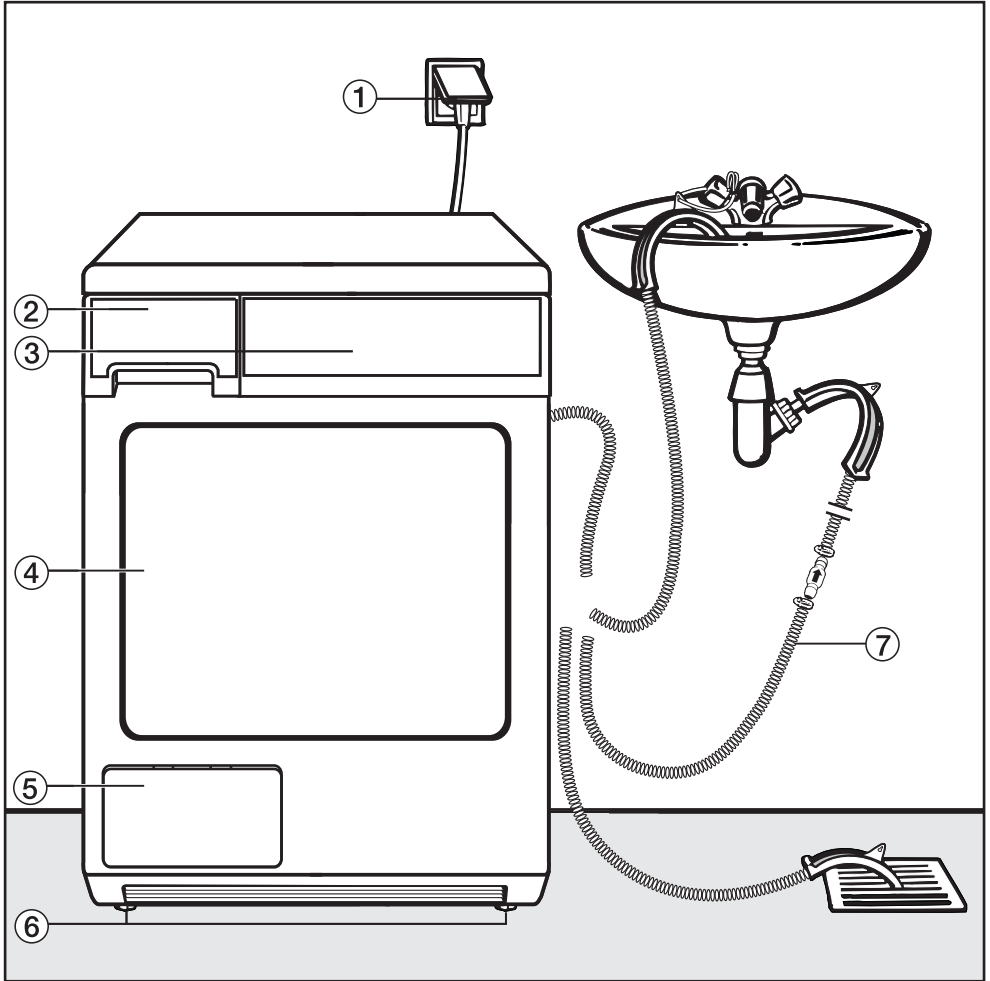
In the U.K. the appliance is guaranteed for 2 years from the date of purchase.

However, you must activate your cover by calling 0330 160 6640 or registering online at www.miele.co.uk.

Guarantee: Other countries

For information on the appliance guarantee specific to your country please contact Miele. See end of this booklet for contact details.

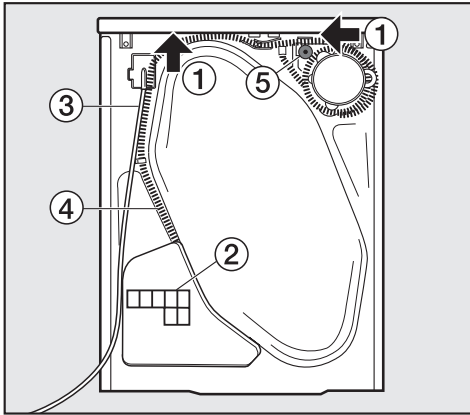
Front view



- ① Mains connection cable
- ② Condensed water container
– empty after every drying cycle
- ③ Control panel
- ④ Door
- ⑤ Service panel for condenser unit
- ⑥ Four height adjustable screw feet
- ⑦ Hose for external drainage of
condensed water

Installation and connection

Rear view



- ① Protruding lid for holding when moving the dryer (see arrows)
- ② Air inlet vent for cooling the condenser unit
- ③ Mains connection cable
- ④ Hose for external drainage of condensed water
- ⑤ Accessories for external drainage of condensed water: hose clip, adapter and hose holder

Installation site

⚠ Make sure the dryer door can be opened without hindrance after installation.

Transporting the tumble dryer to its installation site

When moving the dryer, hold it by the lid where it protrudes to the rear. To manoeuvre the dryer out of its packing case to its installation site you will also need to hold it by the front feet.

Building under a continuous worktop / in a kitchen run

⚠ Building under kits must only be installed/dismantled by a suitably qualified fitter.

- A special building-under conversion kit* with a cover plate to replace the appliance lid is required. It must be fitted by a suitably qualified fitter to ensure electrical safety. N.B. If you wish to push your appliance under a worktop and there is space to do this without removing the lid, the building under kit is not necessary. Otherwise it is essential.
- Fitting instructions are supplied with the building-under kit.
- N.B. When built under, drying times may be longer.
- The electrical socket must be located in an accessible position near the appliance.

With niche heights of:

- 830-840 mm, longer screw feet* are required.
- 870-885 / 915-930 mm, one or two raising kits* are required.

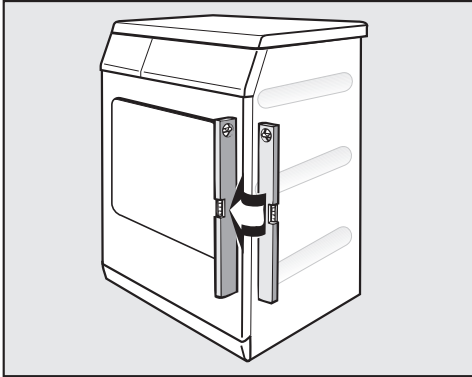
Washer-dryer stack

The tumble dryer can be combined with a Miele washing machine in a washer-dryer stack. The appropriate Miele washer-dryer "WTV" stacking kit* is required.

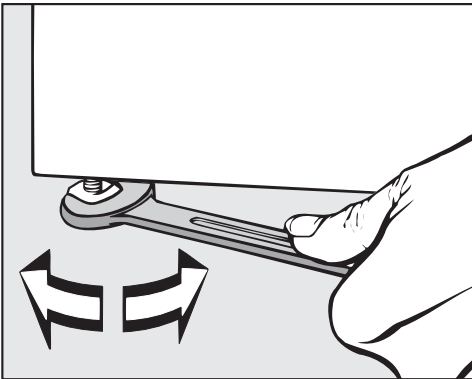
* Miele accessory available to order

Installation and connection

Levelling the dryer



The appliance must stand perfectly level on all four feet to ensure safe and proper operation.



The screw feet can be adjusted to compensate for any unevenness in the floor.

⚠ Do not block the gap between the bottom of the tumble dryer and the floor with plinth facings, deep pile carpet etc. This would hinder a sufficient flow of air to the dryer.

⚠ Do not obstruct the cool air intake at the front with a laundry basket or other objects. This would hinder a sufficient intake of cool air for the condenser unit.

Room in which the dryer is located

Cool air taken in for the drying process is expelled from the front of the dryer and heats up the air in the room. Ensure that the room has sufficient ventilation, e.g. by opening a window. Otherwise drying durations may be longer.

Before moving the tumble dryer again (e.g. when moving house)

After each use a small quantity of condensed water will collect in the area of the pump. This water can run out if the tumble dryer is tipped up when it is being moved. It is a good idea to run the *Warm air* programme for approximately 1 minute before moving the tumble dryer. Any remaining condensed water will then be fed into the condensed water container or out through the drain hose.

Installation and connection

Electrical connection U.K.

All electrical work should be carried out by a suitably qualified and competent person, in strict accordance with current national and local safety regulations (BS 7671 in the UK).

Ensure power is not supplied to the appliance until after installation work has been carried out.

The appliance is supplied with a mains cable with moulded plug ready for connection to a 230-240V mains supply.

Please ensure the connection data quoted on the data plate match the household mains supply.

Connection should be made via a suitable switched socket which is easily accessible after installation.

For extra safety it is advisable to protect the appliance with a suitable residual current device (RCD). Contact a qualified electrician for advice.

Do not connect via an extension lead. Extension leads do not guarantee the required safety of the appliance (e.g. danger of overheating).

Non-rewireable plugs BS 1363

The fuse cover must be refitted when changing the fuse, and if the fuse cover is lost, the plug must not be used until a suitable replacement is obtained. The colour of the correct replacement cover is that of the coloured insert in the base of the plug, or the colour that is embossed in words on the base of the plug (as applicable to the design of plug fitted).

Replacement fuses should be ASTA approved to BS 1362 and have the correct rating. Replacement fuses and fuse covers may be purchased from your local electrical supplier.

**WARNING: THIS APPLIANCE
MUST BE EARTHED**

External condensed water outlet

Notes

When drying is in progress, condensed water is pumped into the condensed water container through the drain hose which is located at the back of the dryer.


The condensed water can also be drained away via the drain hose so that the condensed water container does not have to be emptied.

Drain hose length: 1.50 m
Maximum delivery head: 1.50 m
Maximum drain hose length: 4.00 m

The following optional accessories are available:

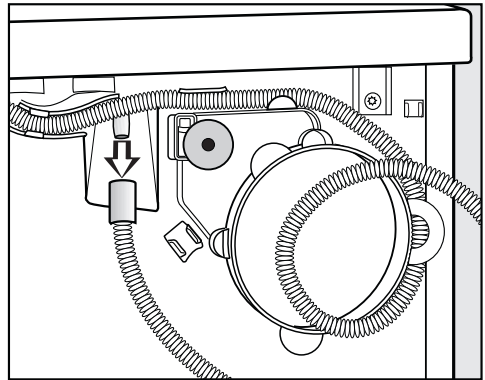
- an extension hose,
- a non-return valve kit for connection to an external water outlet. The kit includes an extension hose.

Arranging the drain hose

 Do not pull on the drain hose and do not stretch it or allow it to become kinked.

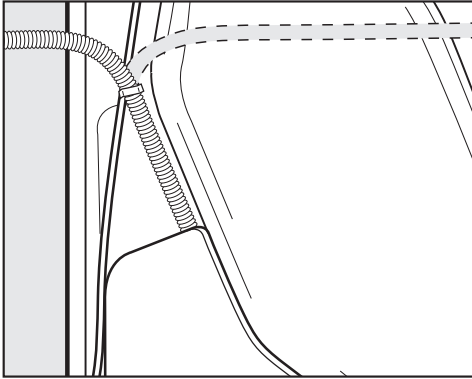
This could damage the hose.

There will be a small amount of residual water left in the drain hose. Have a container ready to collect this.



- Pull the drain hose off its connection.
- Allow any residual water to run into the container.
- Unwind the hose and pull it carefully out of the holders.

Installation and connection




- Guide the hose to the right or left side of the dryer, as required.

Leave the hose in the middle holder to prevent it from being kinked inadvertently.

External drainage via a sink or gully

- See "Front view" illustration.

 If you want to drain the water off into a sink or basin, you will need to secure the hose carefully, e.g. by tying it to a tap, to make sure it cannot slip during use. Otherwise there is a risk of overflowing water which could cause damage.

- Use the bow-shaped guide to prevent the drain hose from becoming kinked.

Installation conditions requiring a non-return valve

! There is a risk of back-flow into the dryer if a non-return valve is not fitted.

Back-flow could damage the dryer and also the room in which it is located.

Certain installation conditions, such as those described below, **require the fitting of a non-return valve.**

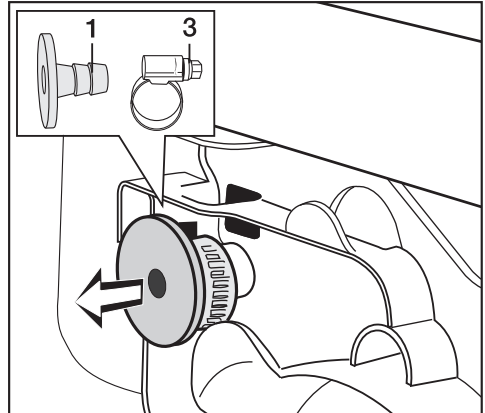
Installation conditions requiring the fitting of a non-return valve:

- Drainage into a sink or floor gully where the end of the hose is immersed in water.
- Connection to a sink drain outlet.
- Connection to a drainage system already in use by another appliance, e.g. a dishwasher or washing machine.

Maximum delivery head with non-return valve: 1.00 m

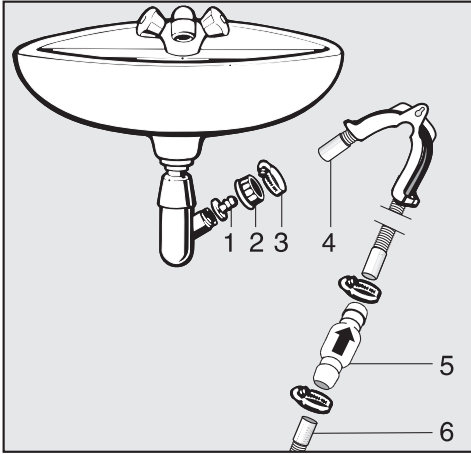
Example: Connection to a sink drain outlet

The drain hose with non-return valve fitted can be connected directly to a suitable sink drain outlet.



- Remove the following from the back of the dryer at the top: Adapter **1** and hose clip **3** behind it.

Installation and connection





1. Adapter
2. Nut
3. Hose clip
4. End of the hose (secured with the hose holder)
5. Non-return valve
6. Tumble dryer drain hose

- Fit adapter **1** to the sink drain outlet using nut **2**.
The nut is usually fitted with a washer which must be removed.
- Attach the end of the hose **4** to adapter **1**.
- Use the hose holder.
- Use a screwdriver to tighten hose clip **3** up close to the nut.
- Fit non-return valve **5** to tumble dryer drain hose **6**.

Non-return valve **5** has to be fitted so that the arrow points in the direction of flow (i.e. towards the sink).

- Secure the non-return valve using hose clips.

Consumption data

	Load ¹	Final spin speed in a domestic washing machine	Residual moisture	Energy	Duration
	kg	rpm	%	kWh	min
Cottons Normal  ²	7.0	1000	60	4.14	109
	3.5	1000	60	2.28	65
Cottons Normal 	7.0	1200	53	3.75	100
	7.0	1400	50	3.55	95
	7.0	1600	44	3.15	86
Cottons Hand iron	7.0	1000	60	3.10	89
	7.0	1200	53	2.75	79
	7.0	1400	50	2.55	74
	7.0	1600	44	2.20	65
Minimum iron Normal	3.5	1200	40	1.40	45
Minimum iron Hand iron	3.5	1200	40	1.20	39
Automatic plus	5.0	800	50	2.70	114
¹ Weight of dry laundry					
² Test programme in accordance with Regulation 392/2012/EU for energy labelling, measured in accordance with EN 61121					
All data was calculated using EN 61121 unless otherwise stated.					
Power consumption when switched off				0.10 W	
Power consumption when not switched off				3.50 W	

Note for test institutes:

For testing in accordance with EN 61121, dry a 3 kg load of cotton laundry with 70% residual moisture as per the above standard using the *Cottons Normal* programme.

Consumption data can vary from the nominal values given above depending on the size of the load, types of textiles, residual moisture levels after spinning and fluctuations in the electricity supply.

Technical data

Height	850 mm
Width	595 mm
Depth	587 mm
Depth with door open	1062 mm
Height for building under	820 mm
Width for building under	600 mm
Depth for building under	600 mm
Suitable for pushing under a worktop	Yes
Suitable for stacking	Yes
Weight	Approx. 51 kg
Drum volume	111 litres
Load size	7.0 kg (weight of dry laundry)
Capacity of condensed water container	4.2 l
Hose length	1.5 m
Max. delivery head	1.5 m
Max. drain hose length	4.00 m
Length of connection cable	2.00 m
Voltage	See data plate
Connected load	See data plate
Fuse rating	See data plate
Lamp wattage	See data plate
Test certificates awarded	See data plate

Programmable functions

Various settings can be reprogrammed to alter the dryer's electronics to suit different requirements. They can be altered at any time.

Programmable functions

Altering the residual moisture level in the Cottons programme

The tumble dryer is designed to dry effectively using as little energy as possible. However, if you require the laundry to be drier or damper, you can reduce or increase the default residual moisture in this programme.

Exception: The *Normal* drying level remains unchanged.

Follow steps (1, 2, 3 ...) to programme and store in memory.

Before you begin, ensure that:

- The tumble dryer is switched off.
- The door is closed.
- The programme selector is pointing to *Finish*.

- 1 Press *Start* and keep it pressed in whilst carrying out steps 2-3.
- 2 Switch the dryer on.
- 3 Wait until the indicator light for the *Start* button lights up constantly . . .
- 4 . . . and then release the *Start* button.

The *Empty container* indicator light will flash once.

The option selected will be displayed by a **number** which will alternate with *P*.

- 0 **Laundry will be damper**
 - 1 **Factory default setting**
(The *Clean out airways* indicator light will also flash once)
 - 2 **Laundry will be drier**
(The *Clean out airways* indicator light will also flash twice)
- 5 Pressing the *Start* button switches between the options.
 - 6 Switch the dryer off.

The setting you have selected is now stored in memory. You can change it again at any time.

To check the setting:

- Carry out steps 1-4.
- Switch the dryer off after checking.

Altering the residual moisture level in the "Minimum iron" programme

The tumble dryer is designed to dry effectively using as little energy as possible. However, if you require the laundry to be drier or damper, you can reduce or increase the default residual moisture in this programme.

Follow steps (1, 2, 3 ...) to programme and store in memory.

Before you begin, ensure that:

- The tumble dryer is switched off.
- The door is closed.
- The programme selector is pointing to *Finish*.

- 1 Press *Start* and keep it pressed in whilst carrying out steps 2-3.
- 2 Switch the dryer on.
- 3 Wait until the indicator light for the *Start* button lights up constantly . . .
- 4 . . . and then release the *Start* button.
- 5 Turn the programme selector to *Cottons Normal+*.

The *Empty container* indicator light will flash twice.

The option selected will be displayed by a **number** which will alternate with *P*.

0 **Laundry will be damper**

1 **Factory default setting**
(The *Clean out airways* indicator light will also flash once)

2 **Laundry will be drier**
(The *Clean out airways* indicator light will also flash twice)

6 Pressing the *Start* button switches between the options.

7 Switch the dryer off.

The setting you have selected is now stored in memory. You can change it again at any time.

To check the setting:

- Carry out steps 1-5.
- Switch the dryer off after checking.

Programmable functions

Anti-crease

Helps prevent creasing, if laundry is not normally removed immediately after the end of a programme. The drum rotates at intervals for 2 hours after the end of a programme.


The anti-crease function

- is activated ex-works. You can shorten the duration of the anti-crease phase or deactivate it if wished.
- is active in all programmes, except *Woolens handcare*.
- should always be switched on.

Follow steps (1, 2, 3 ...) to programme and store in memory.

Before you begin, ensure that:

- The tumble dryer is switched off.
- The door is closed.
- The programme selector is pointing to *Finish*.

- 1 Press *Start* and keep it pressed in whilst carrying out steps 2-3.
- 2 Switch the dryer on.
- 3 Wait until the indicator light for the *Start* button lights up constantly . . .
- 4 . . . and then release the *Start* button.
- 5 Turn the programme selector to *Cottons Normal* .

The *Empty container* indicator light will flash three times.

The option selected will be displayed by a **number** which will alternate with *P*.

0 **Anti-crease action off**

1 **Anti-crease 1 h**

(The *Clean out airways* will also flash once)

2 **Anti-crease 2 h** (factory default setting)

(The *Clean out airways* will also flash twice)

6 Pressing the *Start* button switches between the options.

7 Switch the dryer off.

The setting you have selected is now stored in memory. You can change it again at any time.

To check the setting:

- Carry out steps 1-5.
- Switch the dryer off after checking.

Switching the buzzer on/off

A buzzer sounds (at intervals for a maximum of 1 hr) to let you know the programme has finished.

The dryer is delivered with the buzzer switched on, but you can switch it off if you wish.

The buzzer will still sound if there is a fault, even if it has been switched off.

Follow steps (1, 2, 3 ...) to programme and store in memory.

Before you begin, ensure that:

- The tumble dryer is switched off.
- The door is closed.
- The programme selector is pointing to *Finish*.

- 1 Press *Start* and keep it pressed in whilst carrying out steps 2-3.
- 2 Switch the dryer on.
- 3 Wait until the indicator light for the *Start* button lights up constantly . . .
- 4 . . . and then release the *Start* button.
- 5 Turn the programme selector to *Cottons Low temperature*.

The *Empty container* indicator light will flash four times.

The option selected will be displayed by a **number** which will alternate with *P*.

0 Buzzer off

1 **Buzzer on (factory default setting)**
(The *Clean out airways* indicator light will also flash once).

6 Pressing the *Start* button switches between the options.

7 Switch the dryer off.

The setting you have selected is now stored in memory. You can change it again at any time.

To check the setting:

- Carry out steps 1-5.
- Switch the dryer off after checking.

Programmable functions

Altering the standard drying level in the "Automatic plus" programme

The drying level for this programme is set to the standard *Normal* level. You have the option of changing the drying level to *Hand iron* (dampener than Normal) or to *Normal+* (drier than Normal).

Follow steps (1, 2, 3 ...) to programme and store in memory.

Before you begin, ensure that:

- The tumble dryer is switched off.
- The door is closed.
- The programme selector is pointing to *Finish*.

- 1 Press *Start* and keep it pressed in whilst carrying out steps 2-3.
- 2 Switch the dryer on.
- 3 Wait until the indicator light for the *Start* button lights up constantly . . .
- 4 . . . and then release the *Start* button.
- 5 Turn the programme selector to *Cottons Hand iron*.

The *Empty container* indicator light will flash six times.

The option selected will be displayed by a **number** which will alternate with *P*.

0 **Standard setting - *Hand iron***

1 **Factory default setting**
(The *Clean out airways* indicator light will also flash once)

2 **Standard setting will be *Normal+***
(The *Clean out airways* indicator light will also flash twice)

6 Pressing the *Start* button switches between the options.

7 Switch the dryer off.

The setting you have selected is now stored in memory. You can change it again at any time.

To check the setting:

- Carry out steps 1-5.
- Switch the dryer off after checking.

Extending the cooling down time

The cooling down phase which takes place before the end of a programme can be lengthened in two stages if required. This cools the garments down even more.

Follow steps (1, 2, 3 ...) to programme and store in memory.

Before you begin, ensure that:

- The tumble dryer is switched off.
 - The door is closed.
 - The programme selector is pointing to *Finish*.
- 1 Press *Start* and keep it pressed in whilst carrying out steps 2-3.
 - 2 Switch the dryer on.
 - 3 Wait until the indicator light for the *Start* button lights up constantly . . .
 - 4 . . . and then release the *Start* button.
 - 5 Turn the programme selector to *Cottons Machine iron*.

The *Empty container* indicator light will flash seven times.

The option selected will be displayed by a **number** which will alternate with *P*.

0 Factory default setting

- 1 **The cooling down time will be extended by five minutes** (the *Clean out airways* indicator light will also flash once)
 - 2 **The cooling down time will be extended by ten minutes** (the *Clean out airways* indicator light will also flash twice)
- 6 Pressing the *Start* button switches between the options.
 - 7 Switch the dryer off.

The setting you have selected is now stored in memory. You can change it again at any time.

To check the setting:

- Carry out steps 1-5.
- Switch the dryer off after checking.

Programmable functions

Standby

To save energy, the display goes out after 10 minutes and the indicator light for the *Start* button starts flashing slowly.

To come out of Standby mode:

- Move the programme selector or press *Start*. Neither will have any effect if a programme is running.

On

Standby function is activated and the indicator lights will go out after 10 minutes:

- if a programme is not selected after the dryer has been switched on.
- after a programme has started.

They will, however come on for 10 minutes at the end of the programme or the end of the anti-crease phase. The buzzer (if selected) will sound for 10 minutes at the end of the programme.

Not in current programme (factory default setting)

As described under "On".

However, indicator lights will stay on when the programme has started and remain visible during the programme.

Off

Indicator lights will stay on while the dryer is switched on.

Follow steps (1, 2, 3 ...) to programme and store in memory.

Before you begin, ensure that:

- The tumble dryer is switched off.
- The door is closed.
- The programme selector is pointing to *Finish*.

- 1 Press *Start* and keep it pressed in whilst carrying out steps 2-3.
- 2 Switch the dryer on.
- 3 Wait until the indicator light for the *Start* button lights up constantly . . .
- 4 . . . and then release the *Start* button.
- 5 Turn the programme selector to *Gentle smoothing*.

The *Empty container* indicator light will flash eight times.

The option selected will be displayed by a **number** which will alternate with *P*.

0 On

1 Not in current programme (factory default setting)

(The *Clean out airways* indicator light will also flash once)

2 Off

(The *Clean out airways* indicator light will also flash twice)

6 Pressing the *Start* button switches between the options.

7 Switch the dryer off.

The setting you have selected is now stored in memory. You can change it again at any time.

To check the setting:

- Carry out steps 1-5.
- Switch the dryer off after checking.

Programmable functions

Changing the function of the airways indicator

Fluff should be removed after drying. The *Clean out airways* indicator light will remind you to clean the filters when a certain amount of fluff has collected in them. You can decide at what level of fluff this reminder should be given.

You will have an idea of which option to select after a few drying programmes.

Certain faults can also cause this indicator light to come on at other times.

Follow steps (1, 2, 3 ...) to programme and store in memory.

Before you begin, ensure that:

- The tumble dryer is switched off.
- The door is closed.
- The programme selector is pointing to *Finish*.

- 1 Press *Start* and keep it pressed in whilst carrying out steps 2–3.
- 2 Switch the dryer on.
- 3 Wait until the indicator light for the *Start* button lights up constantly . . .
- 4 . . . and then release the *Start* button.
- 5 Turn the programme selector to *Woollens*.

The *Empty container* indicator light will flash slowly once.

The option selected will be displayed by a **number** which will alternate with *P*.


- 0 **The *Clean out airways* indicator light is deactivated**
- 1 **The *Clean out airways* indicator light only comes on when there is a heavy build-up of fluff**
(The *Clean out airways* indicator light will also flash once)
- 2 **Factory default setting**
(The *Clean out airways* indicator light will also flash twice)
- 3 **The *Clean out airways* indicator light comes on when there is a slight build-up of fluff**
(The *Clean out airways* indicator light will also flash three times)
- 6 Pressing the *Start* button switches between the options.
- 7 Switch the dryer off.

The setting you have selected is now stored in memory. You can change it again at any time.

To check the setting:


- Carry out steps 1–5.
- Switch the dryer off after checking.

Adjusting the dryer's electronics for very soft water

 This setting should only be altered if the water is so soft that it is likely to cause the electronics which sense residual moisture in the laundry to give false readings.

Important

If the dryer is installed in an area with very soft water, you should contact your local water supplier for information and advice regarding water hardness and water conductivity. If the water conductivity is less than 150 μS , the following setting will need to be activated.

 Only activate this setting if these conditions are present. Otherwise drying results will be unsatisfactory.

Follow steps **(1, 2, 3 ...)** to programme and store in memory.

Before you begin, ensure that:

- The tumble dryer is switched off.
- The door is closed.
- The programme selector is pointing to *Finish*.

- 1** Press *Start* and keep it pressed in whilst carrying out steps **2-3**.
- 2** Switch the dryer on.
- 3** Wait until the indicator light for the *Start* button lights up constantly . . .
- 4** . . . and then release the *Start* button.

- 5** Turn the programme selector to *Cool air*.

The *Empty container* indicator light will flash on and off slowly once and then on and off quickly twice.

The option selected will be displayed by a **number** which will alternate with *P*.

Factory default setting

1 Adjusted for very soft water (with low conductivity)
(The *Clean out airways* indicator light will also flash once)

- 6** Pressing the *Start* button switches between the options.
- 7** Switch the dryer off.

The setting you have selected is now stored in memory. You can change it again at any time.

To check the setting:

- Carry out steps **1-5**.
- Switch the dryer off after checking.

United Kingdom

Miele Co. Ltd.
Fairacres, Marcham Road
Abingdon, Oxon, OX14 1TW
Customer Contact Centre Tel: 0330 160 6600
E-mail: mielecare@miele.co.uk
Internet: www.miele.co.uk

Australia

Miele Australia Pty. Ltd.
ACN 005 635 398
ABN 96 005 635 398
1 Gilbert Park Drive, Knoxfield, VIC 3180
Tel: 1300 464 353
Internet: www.miele.com.au

China

Miele (Shanghai) Trading Ltd.
1-3 Floor, No. 82 Shi Men Yi Road
Jing' an District
200040 Shanghai, PRC
Tel: +86 21 6157 3500, Fax: +86 21 6157 3511
E-mail: info@miele.cn, Internet: www.miele.cn

Miele (Hong Kong) Limited

41/F - 4101, Manhattan Place
23 Wang Tai Road
Kowloon Bay, Hong Kong
Tel: (852) 2610 1331, Fax: (852)2610 1013
Email: mielehk@miele.com.hk

India

Miele India Pvt. Ltd.
Ground Floor, Copia Corporate Suites
Plot No. 9, Jasola
New Delhi - 110025
Tel: 011-46 900 000, Fax: 011-46 900 001
E-mail: customercare@miele.in, Internet: www.miele.in

Ireland

Miele Ireland Ltd.
2024 Bianconi Avenue
Citywest Business Campus, Dublin 24
Tel: (01) 461 07 10, Fax: (01) 461 07 97
E-Mail: info@miele.ie, Internet: www.miele.ie

Manufacturer: Miele & Cie. KG

Carl-Miele-Straße 29, 33332 Gütersloh, Germany

Miele

Malaysia

Miele Sdn Bhd
Suite 12-2, Level 12
Menara Sapura Kencana Petroleum
Solaris Dutamas No. 1, Jalan Dutamas 1
50480 Kuala Lumpur, Malaysia
Phone: +603-6209-0288
Fax: +603-6205-3768

New Zealand

Miele New Zealand Limited
IRD 98 463 631
Level 2, 10 College Hill
Freemans Bay, Auckland 1011, NZ
Tel: 0800 464 353
Internet: www.miele.co.nz

Singapore

Miele Pte. Ltd.
163 Penang Road
04 - 03 Winsland House II
Singapore 238463
Tel: +65 6735 1191, Fax: +65 6735 1161
E-Mail: info@miele.com.sg
Internet: www.miele.sg

South Africa

Miele (Pty) Ltd
63 Peter Place, Bryanston 2194
P.O. Box 69434, Bryanston 2021
Tel: (011) 875 9000, Fax: (011) 875 9035
E-mail: info@miele.co.za
Internet: www.miele.co.za

United Arab Emirates

Miele Appliances Ltd.
P.O. Box 11 47 82
Gold & Diamond Park, Sheikh Zayed Road
Building 6 / Offices Nos. 6-214 to 6-220
Dubai
Tel: +971-4-341 84 44
Fax: +971-4-341 88 52
E-Mail: info@miele.ae
Internet: www.miele.ae

TDA 150 C



en-GB

M.-Nr. 09 938 570 / 00